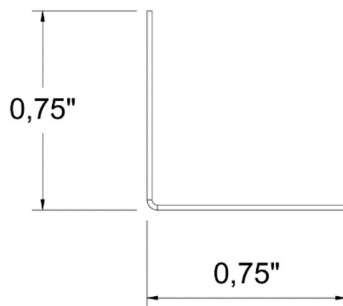


**Product Type:** L-Angle  
**Product Definition:** 075L075-18 33ksi  
**CSI Code:** 09.22.16.13



## Profile Properties:

Web Depth	0,75 in	Yield Strength:	33 ksi
Flange Width	0,75 in	Cross Sectional Area	0,028 in <sup>2</sup>
Design Thickness	0,0188 in	Unit Weight	0,0953 lb/ft
Minimum Thickness	0,0179 in	Finish	G40

## Notes:

- Standard lengths: 10'-0", customs lengths are possible.
- Material with different yield strength and special coatings than the above are also possible.

## Application Areas:

- Corner intersections
- Framing connections
- Half track connections

## Codes & Standards:

- Calculations are based on AISI S220-20 and AISI S100-16.
- Complies with IBC2021, ASTM C645, ASTM C754, ASTM A653, ASTM A1003, ASTM E72
- LEED / Sustainability Credits: Environmental Product Declaration S-P Code: S-P-00869

